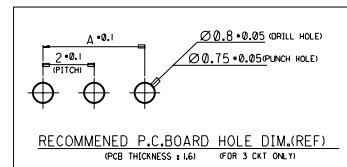
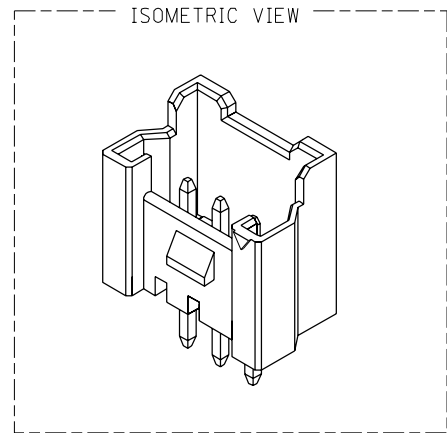
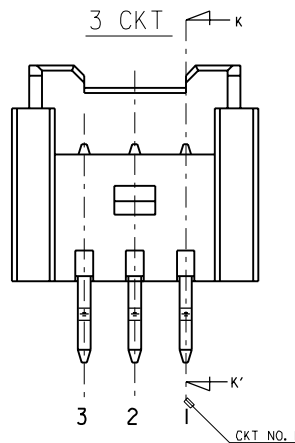
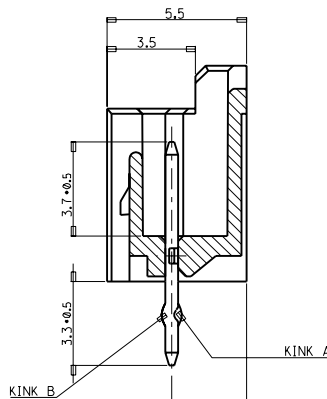
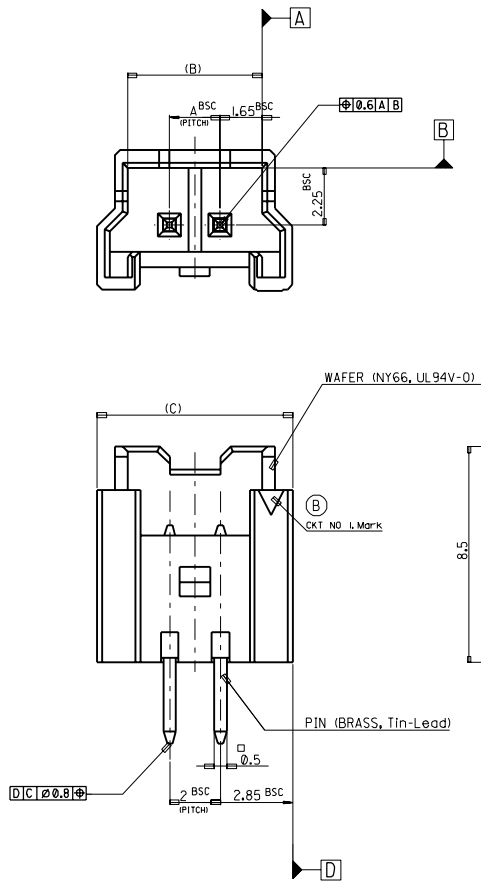


PROJECT NO. SIMILAR ITEM EDP NO. ENG. NO. SD-35362-001

FOR 2 & 3 CKTS.



NOTES

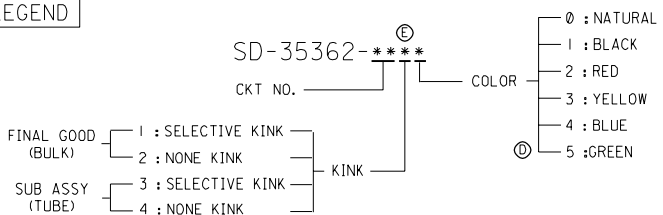
- MATING HOUSING : 35507-**-0*
- MATING TERMINAL : 50212-8000
- KINK

| | | | | |
|-----|--------|-----------|---|---|
| | CKT NO | 1 | 2 | 3 |
| CKT | 2 CKT | NONE KINK | | |
| | 3 CKT | A | B | A |

3. PRODUCT SPECIFICATION NO : PS-35507-001

| | | | | |
|-----|-----|---|------------|-----|
| 9,7 | 7,3 | 4 | -03** | 3 |
| 7,7 | 5,3 | 2 | 35362-02** | 2 |
| (C) | (B) | A | ENG. NO. | CKT |

LEGEND



| | |
|-------------------|-------|
| 30 over | +0.3 |
| 10 over 30 under | ±0.25 |
| 10 under | ±0.2 |
| ANGLE | ±3° |
| GENERAL TOLERANCE | |

| | | | |
|---------------------------|-------------------------|---------------|--------|
| Ⓔ | Revised | KOR 2001-0205 | 010118 |
| Ⓓ | Revised | KOR 1998-0126 | 981007 |
| Ⓒ | Revised | KOR 1998-0062 | 980423 |
| Ⓔ | Revised | KOR 07-013 | 970901 |
| A | Release to manufacturer | KOR 07-0034 | 970404 |
| LTR | REVISION RECORD | ECN | DATE |
| REVISE ONLY ON CAD SYSTEM | | | |

| | |
|--------------------------|--|
| MATERIAL | |
| GENERAL TOLERANCE | |
| DIMENSION CLASSIFICATION | |
| ASS'Y PART | |
| DESCRIPTION/ENG. NO. | |

| | |
|---|-----------------|
| molex MOLEX-KOREA CO.,LTD. | |
| DRAWN BY 96.09.11 Y.S.Kim | CHK'D BY J.K.Oh |
| APP'D BY C.W.Lee | SCALE 1 : 1 |
| TITLE: NEW 2.0 W/B CONN WAFER ASSY (ST) | SHEET 2/3 |
| ENG. NO. SD-35362-001 | REV E |